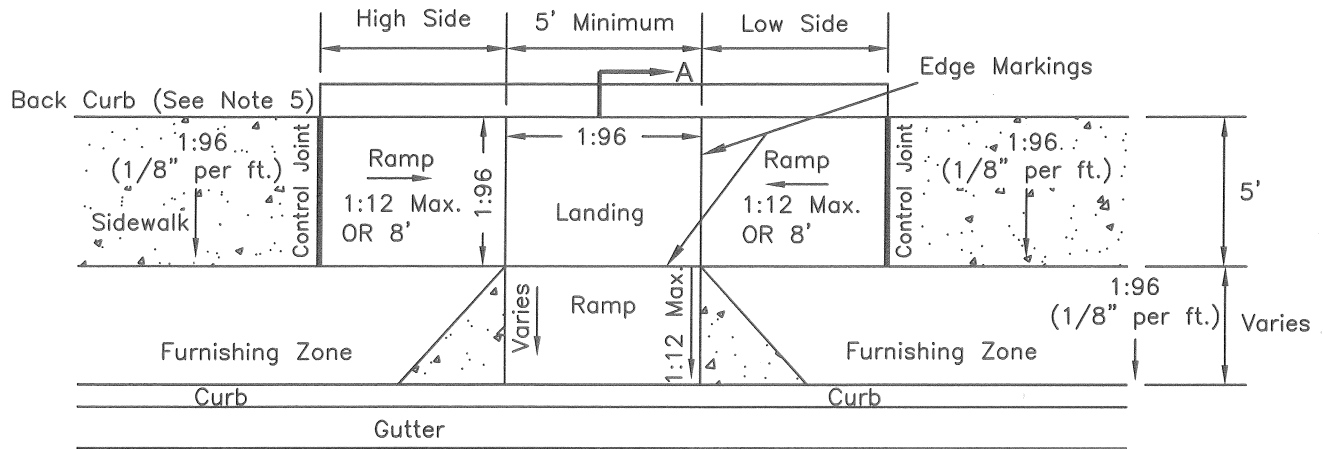
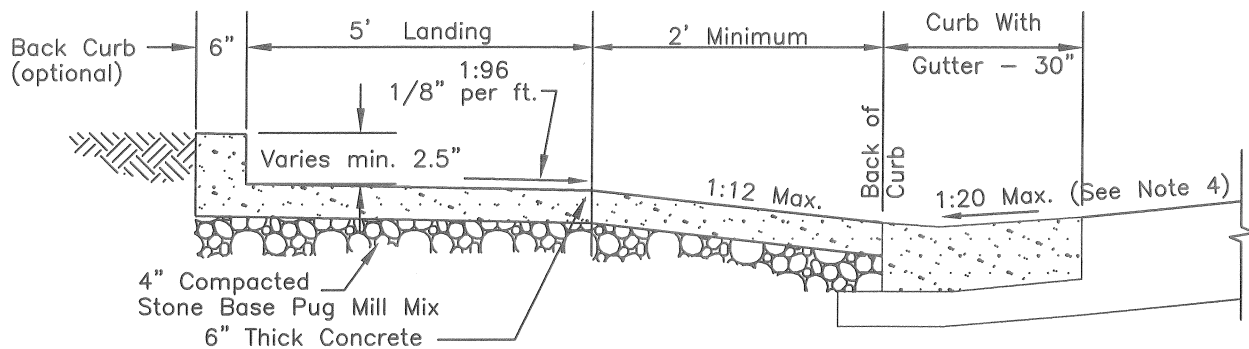


PLAN VIEW



LONGITUDINAL STREET GRADE



SECTION A-A

NOT TO SCALE

GENERAL NOTES

1. Ramp shall be flush with the gutter or edge of pavement.
2. Cross-slope of landing and of sidewalk shall not exceed 1:48 (vertical:horizontal).
3. Surface texture of the curb ramp shall be stable, firm, and slip-resistant. The surface shall be coarse broomed "white" concrete finish transverse to the slope of the ramp.
4. The normal gutter slope of 1:12 (vertical:horizontal) shall be reduced to 1:20 (vertical:horizontal) at the ramp when the curb and gutter is poured before the ramp, or the gutter at the ramp must be cut out, removed, and repoured when the ramp is poured.
5. Back curb shall be constructed at the direction of Public Works, and if required, back curb height along ramp shall transition from 0 inches at expansion joints to the proposed height of back curb at landing and shall be a constant height through landing. Deletion of back curb requires approval of inspector. Removal to be noted in project file and on inspection report.
6. High side and low side ramps shall have a maximum slope of 1:12 (vertical:horizontal) or shall be 8 feet (96 inches) in length.

METROPOLITAN GOVERNMENT OF
NASHVILLE AND DAVIDSON COUNTY
DEPARTMENT OF PUBLIC WORKS

ALTERATION
CONSTRUCTION CURB
RAMP WITH SIDEWALK
LESS THAN 9 FEET

DWG. NO. ST-321

DIR. OF ENG.:

Mark King

DATE: 7/15/04

REVISED: 06/30/03
REVISED: 07/31/02
REVISED: 05/08/03