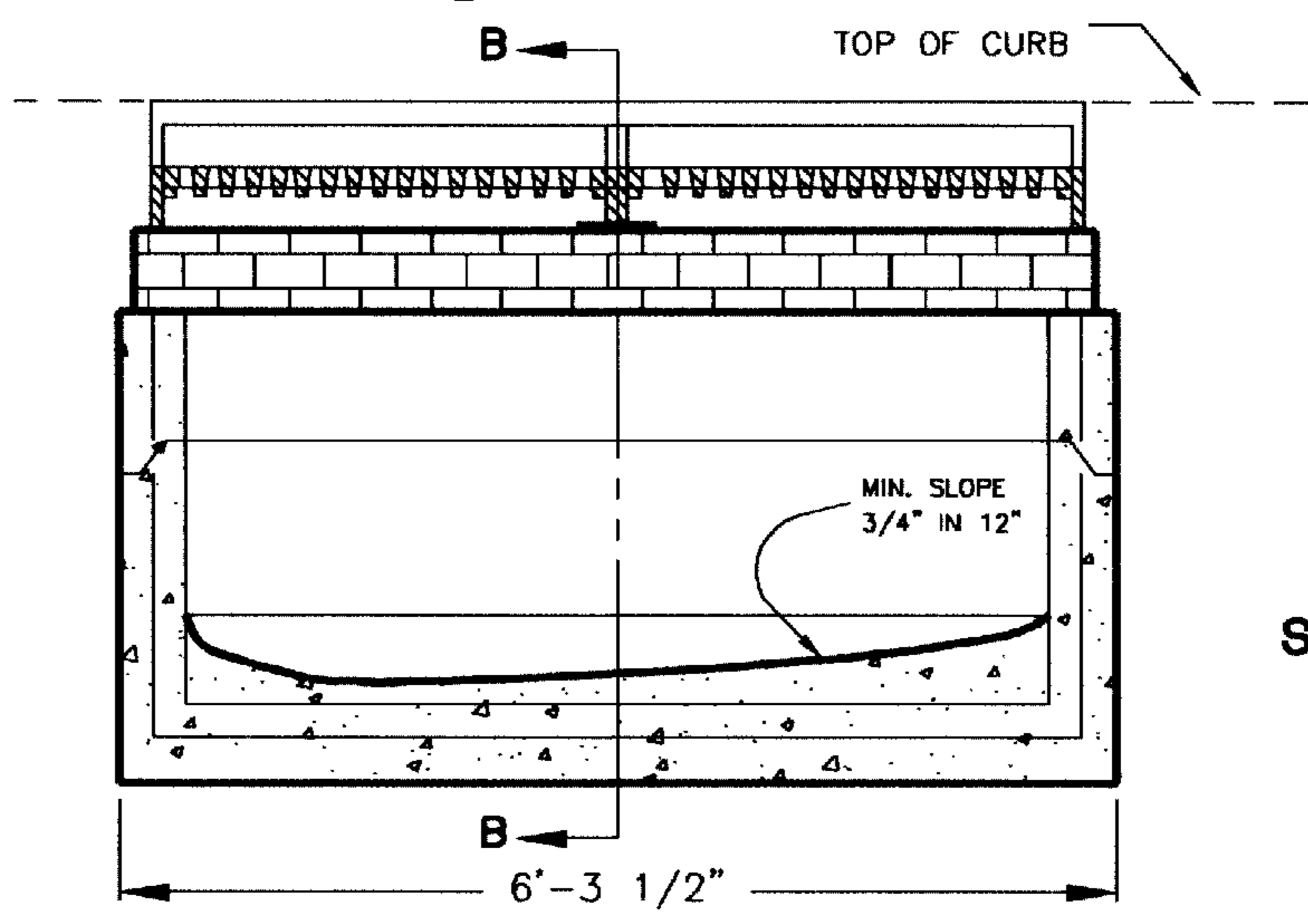


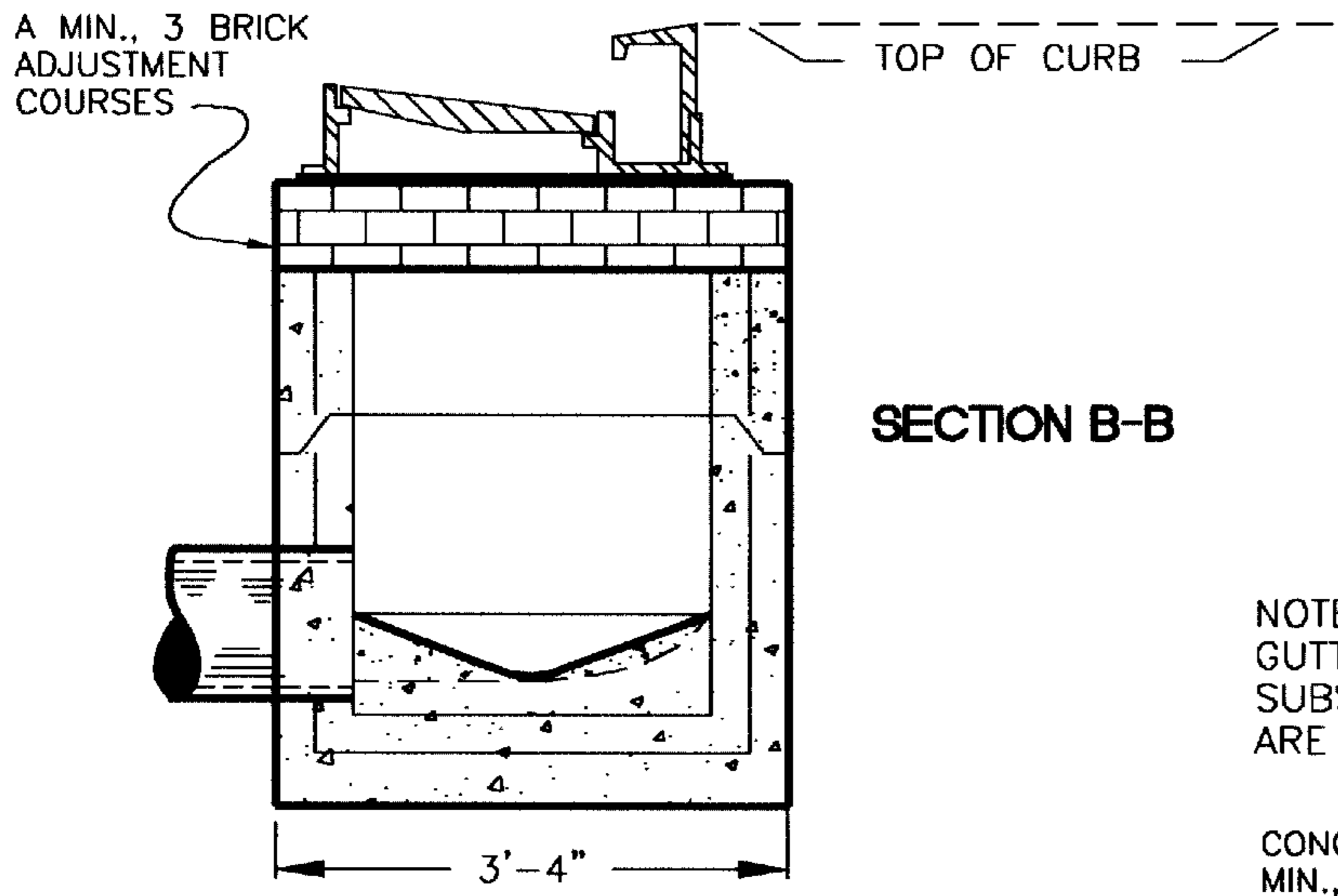
* USE $K=1.25D$ FOR 24" AND LARGER PIPES (D=OUTSIDE PIPE DIAMETER)

CAST IRON LINTEL TO BE 1"x6"x38" OR K+10" FOR PIPES 24" AND LARGER

PLAN



SECTION A-A



SECTION B-B

NOTE: CASTING FOR STANDARD CURB AND GUTTER SHOWN (DR-129). ACCEPTABLE SUBSTITUTES WHERE USE IS DIRECTED ARE DR-130, AND DR-132.

CONCRETE: 4000 PSI AT 28 DAYS MIN., REINFORCEMENT: 0.14 SQ. IN./SQ. FT. GRADE 60 STEEL.

NOT TO SCALE

METROPOLITAN GOVERNMENT OF NASHVILLE AND DAVIDSON COUNTY DEPARTMENT OF PUBLIC WORKS	DOUBLE INLET (PRECAST)	DWG. NO. DR-110
ASST. DIR. ENG.: <i>[Signature]</i> DIRECTOR: <i>[Signature]</i>	DATE: <i>[Signature]</i> DATE: 3/14/00	REVISED: 02/14/00