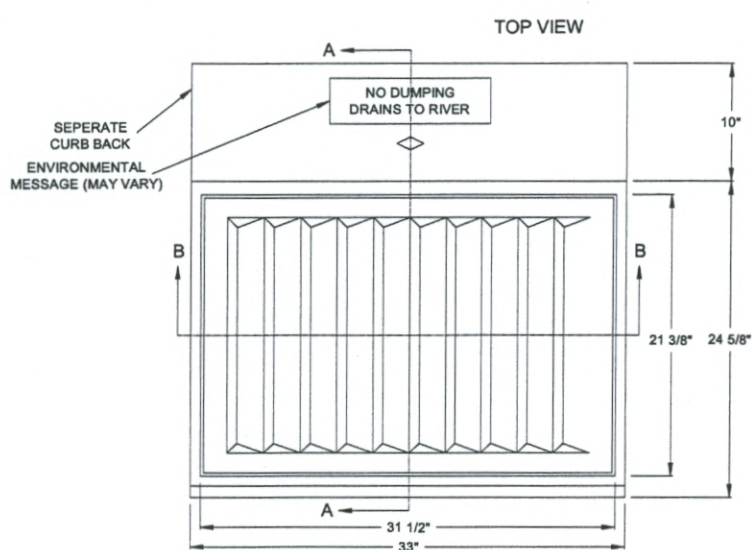
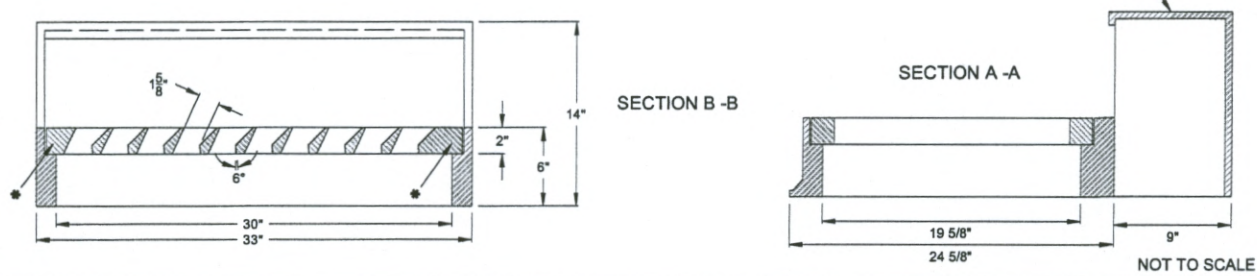


- NOTES:
1. USE JBS 3123 OR EQUIVALENT.
 2. TDOT STANDARD #12, TRAFFIC DUTY
 3. OPEN AREA = 2.18 SQUARE FT



- NOTES:
1. USE JBS 3101-V OR EQUIVALENT.
 2. TRAFFIC DUTY
 3. OPEN AREA = 1.88 SQUARE FT



<p>METROPOLITAN GOVERNMENT OF NASHVILLE AND DAVIDSON COUNTY DEPARTMENT OF PUBLIC WORKS</p>	<p>BIKE FRIENDLY GRATE STANDARD</p>	<p>DWG. NO. ST-506b</p>
<p>DIR. OF ENG: <i>Mark May</i></p>	<p>DATE: 7/10/10</p>	<p>REVISED: REVISED: REVISED:</p>