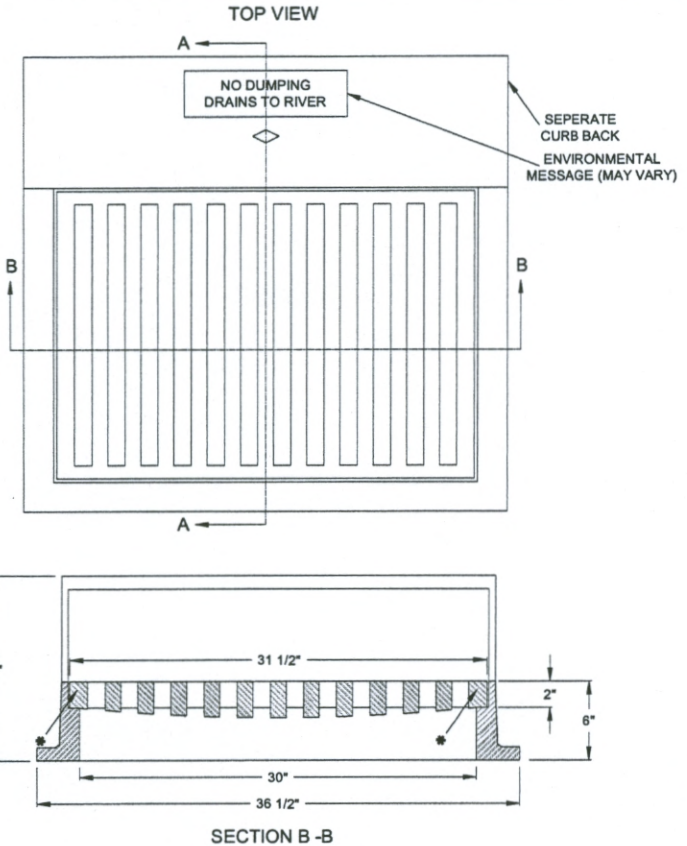
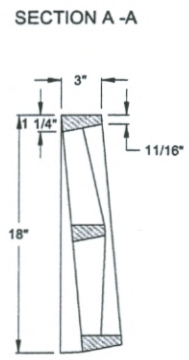
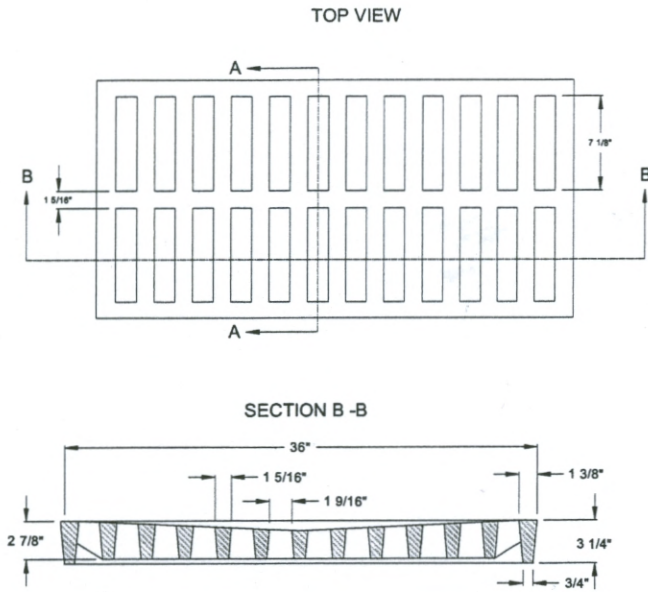
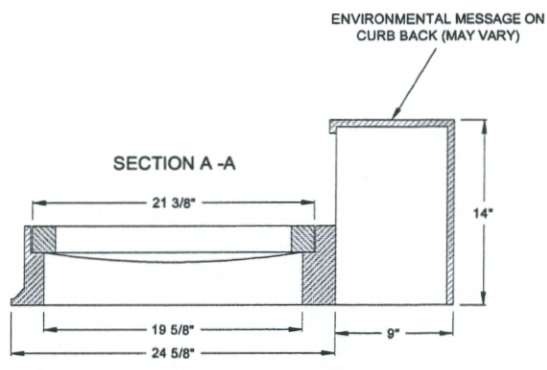


- NOTES:
 1. USE JBS 3124 OR EQUIVALENT.
 2. CLASS 35B GRAY IRON
 3. HEAVY DUTY, H2O LOAD RATED



- NOTES:
 1. USE JBS 3101 OR EQUIVALENT.



NOT TO SCALE

METROPOLITAN GOVERNMENT OF NASHVILLE AND DAVIDSON COUNTY
 DEPARTMENT OF PUBLIC WORKS

BIKE FRIENDLY
 GRATE STANDARD

DWG. NO. ST-506a

DIR. OF ENG: *Mark Macy*

DATE: 7/8/10

REVISED:
 REVISED:
 REVISED: